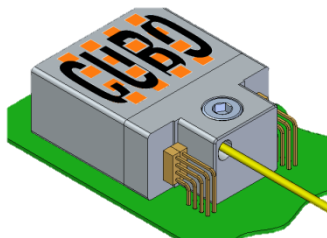
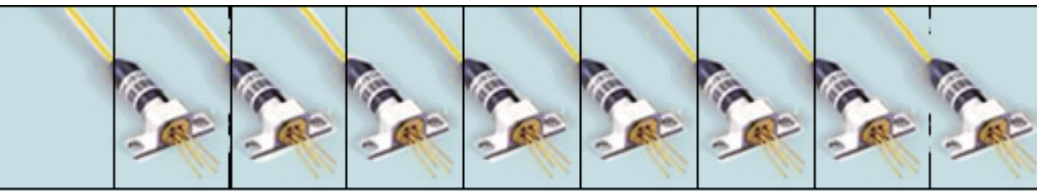


Introducing Detector Cubes

What is a Detector Cube?



Wavelength selective devices

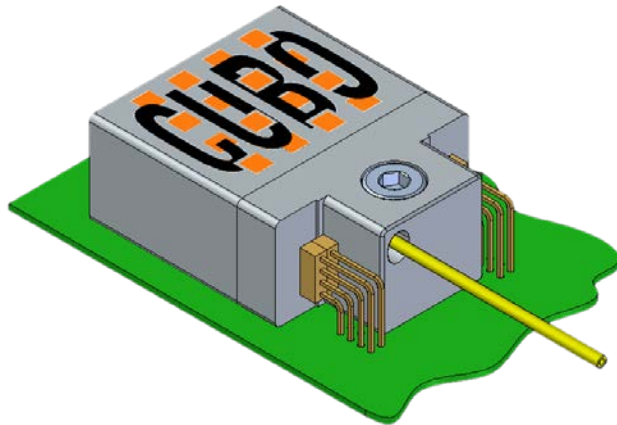


Opto-Electronic signal conversion



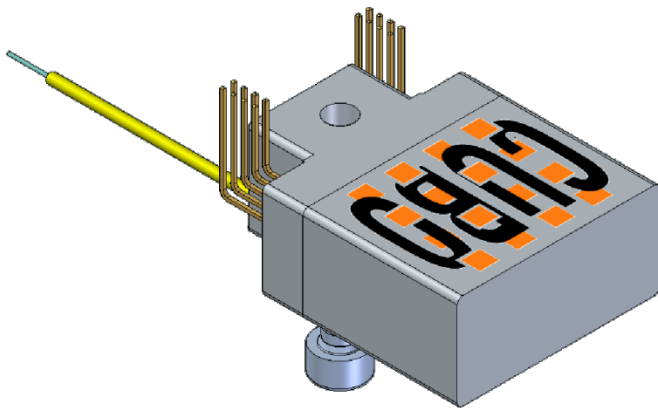
parallel wavelength selective O/E conversion

Detector Cube

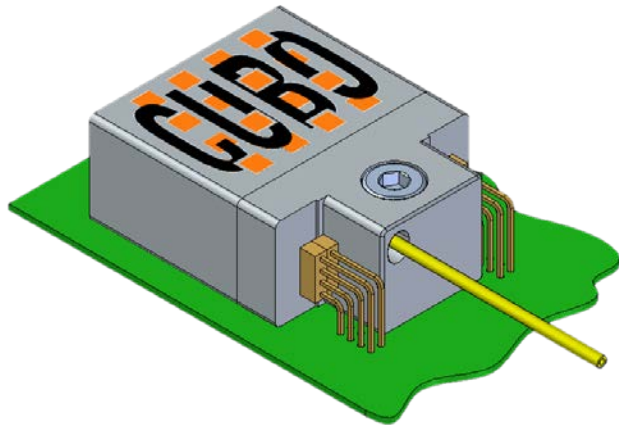


Applications

- Test & Measurement
- Handheld devices
- Spectroscopy (Raman-, Fluorescence,...)
- Concentration Measurements
- A viable alternative to Color-Wheels
- Parallel multi-channel O/E conversion
- Optical performance monitoring in W-WDM and C-WDM



Detector Cube



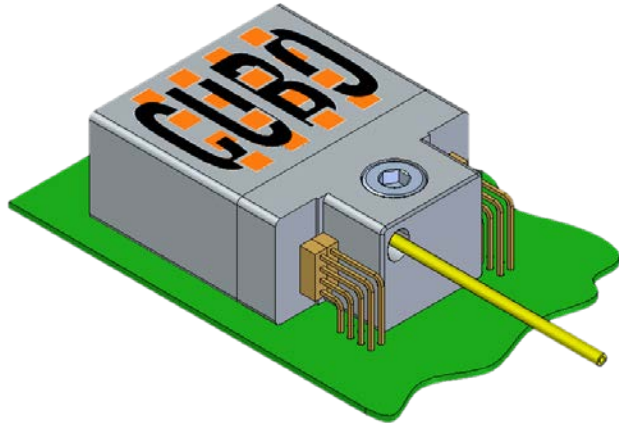
Features

- Opto-electronic interface with detectors
- Up to 8 InGaAs PIN diodes, 1260 – 1620 nm
- Simplifies Fiber Management
- Saves board space
- PCB mountable
- Reliable – no moving parts
- Epoxy free optical path
- RoHS compliant per EU Directive
- UL 94 V0 flammability rating

Further Options

- Si PIN diodes
- Avalanche photo diodes APD
- 600 – 1600 nm
- 400 – 1800 nm extended range

Detector Cube

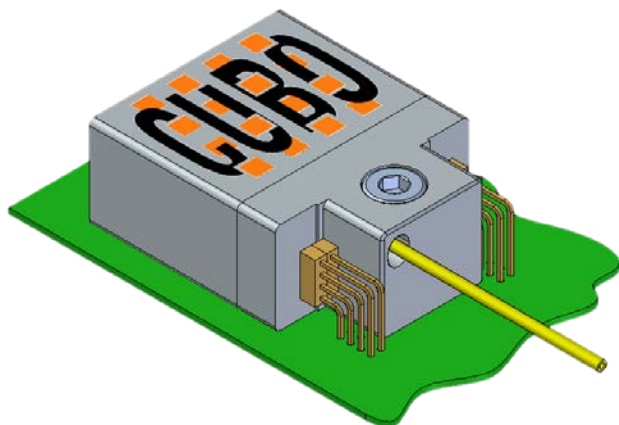


Preliminary Performance **

- Supports SMF-28, GI-50 or GI-62.5 fiber
- InGaAs PIN chip including CUBO Demux
Responsivity 0.60 A/W @ 1310 nm
0.65 A/W @ 1550 nm
- Dark current max. 1 nA @ 25°C
- Cut-off frequency 100 MHz, DC-coupled
optional: > 500 MHz
- Operation Temp. 0°C to +70°C
optional: -40°C to +85°C

*** Parameters will be adjusted to market requirements without notice, please refer to the product datasheet*

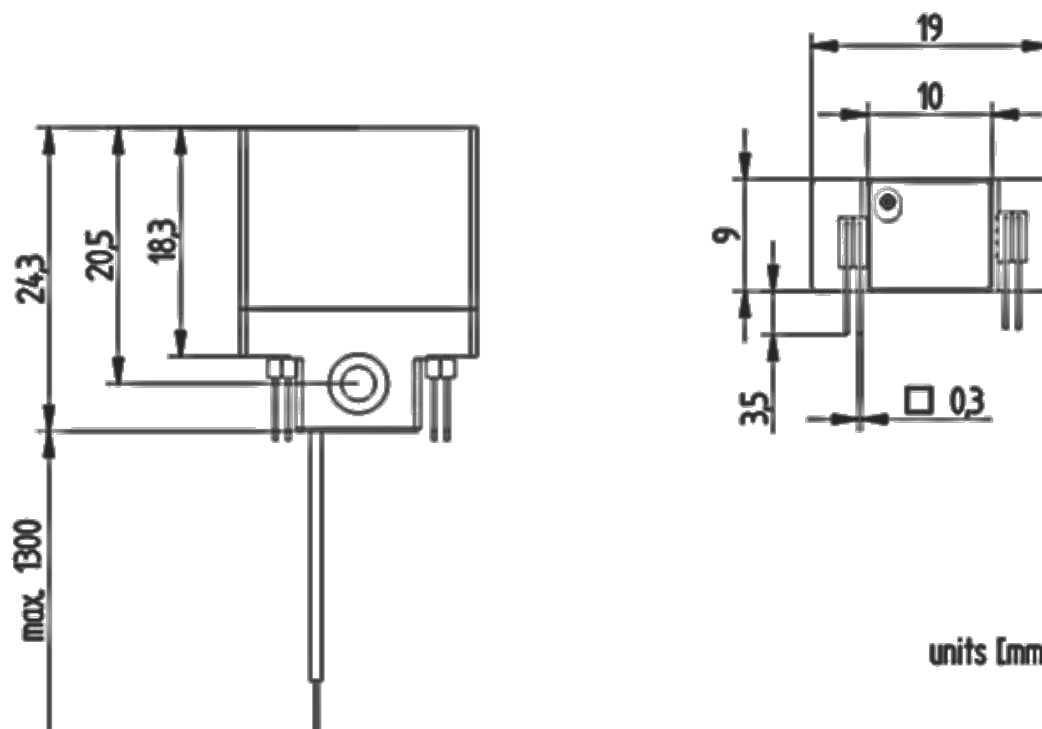
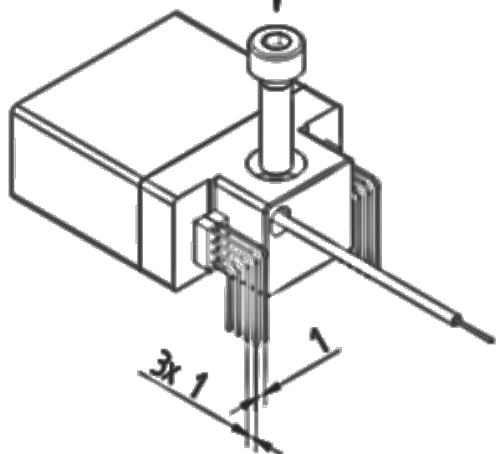
Detector Cube



Preliminary Mechanical Dimensions **

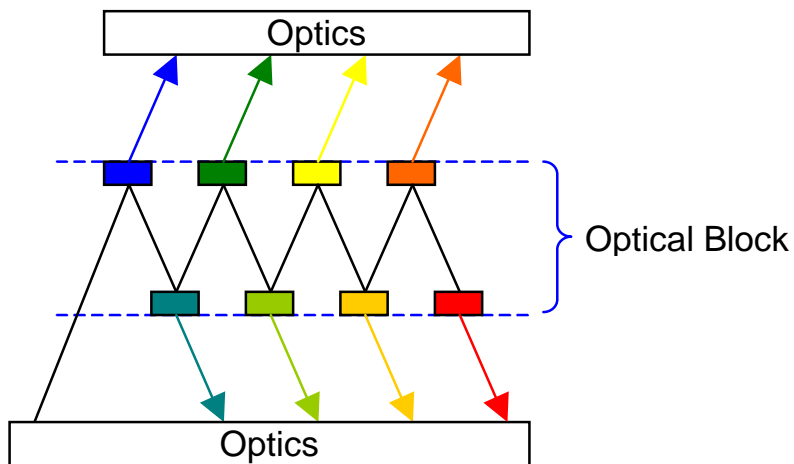
*** Parameters will be adjusted to market requirements without notice, please refer to the product datasheet*

Screw - DIN 912 - M2.5x10



units [mm]

Color Cubes – all fiber devices



Features

- SFM-28, GI-50 and GI-62.5 in production
- up to 10 pigtails in a single device
- 1260 – 1620 nm
- small size 10.5 x 22 x 24.5 mm³
- rugged design, outside plant qualified
- operation from –40°C to +85°C
- epoxy free optical path
- RoHS compliant per EU Directive
- UL 94 V0 flammability rating
- Isolation > 90dB (O.D. 9)

Other Wavelength Options

- 600 – 1600 nm
- 400 – 1800 nm optional

HUBER+SUHNER Cube Optics AG
is certified according to ISO 9001.

WAIVER

It is exclusively in written agreements that we provide our customers with warrants and representations as to the technical specifications and/or the fitness for any particular purpose. The facts and figures contained herein are carefully compiled to the best of our knowledge, but they are intended for general informational purposes only.

HUBER+SUHNER Cube Optics AG
Robert-Koch-Strasse 30
55129 Mainz
Germany

phone: +49-6131-69851-0
fax: +49-6131-69851-79
sales.cubo@hubersuhner.com
www.hubersuhner.com
www.cubeoptics.com